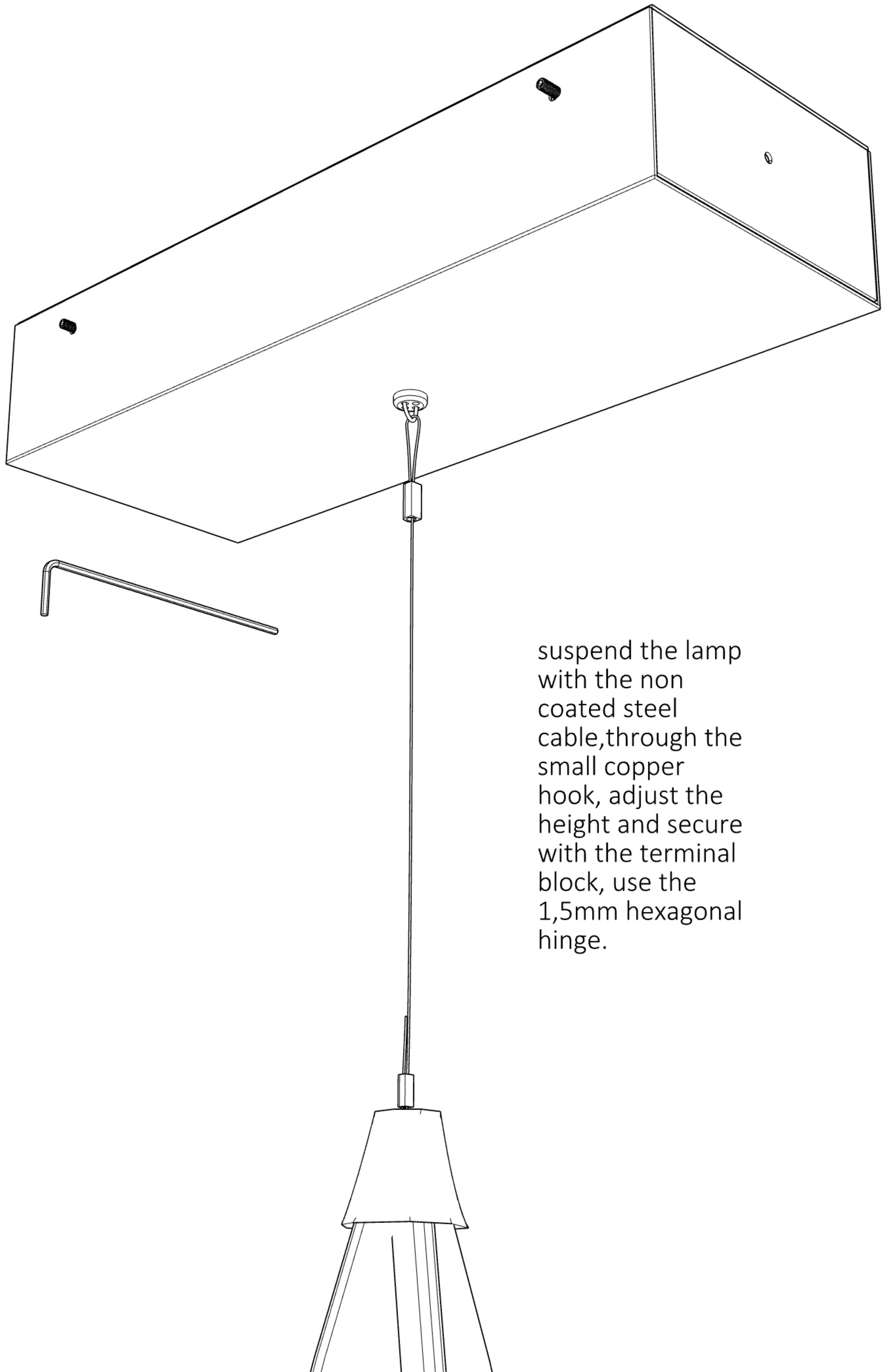
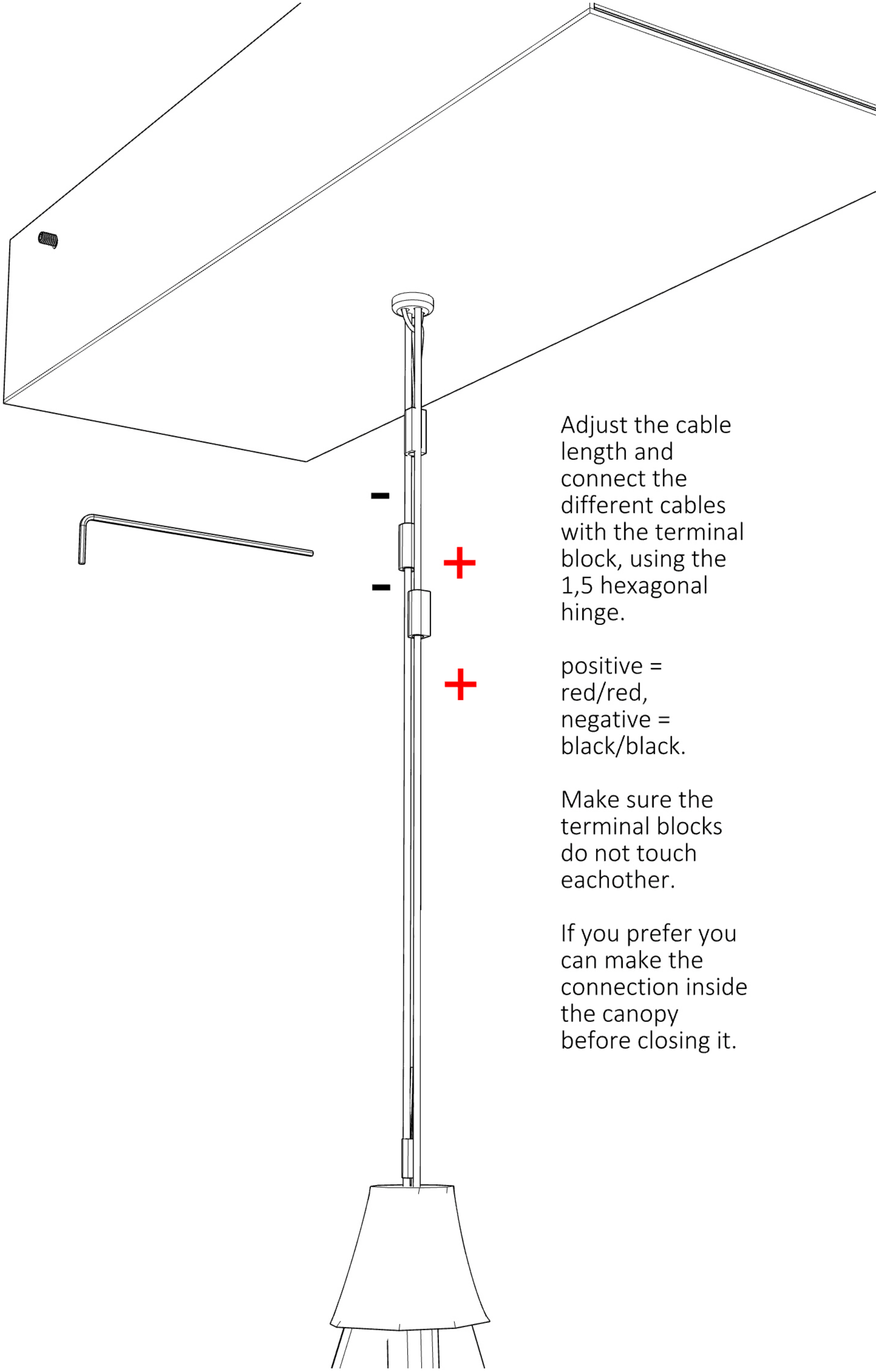


Mount the top part of the canopy on the ceiling and connect the power supply, Close the box with the 2mm hexagonal hinge.



suspend the lamp with the non coated steel cable, through the small copper hook, adjust the height and secure with the terminal block, use the 1,5mm hexagonal hinge.



Adjust the cable length and connect the different cables with the terminal block, using the 1,5 hexagonal hinge.

positive = red/red,
negative = black/black.

Make sure the terminal blocks do not touch each other.

If you prefer you can make the connection inside the canopy before closing it.