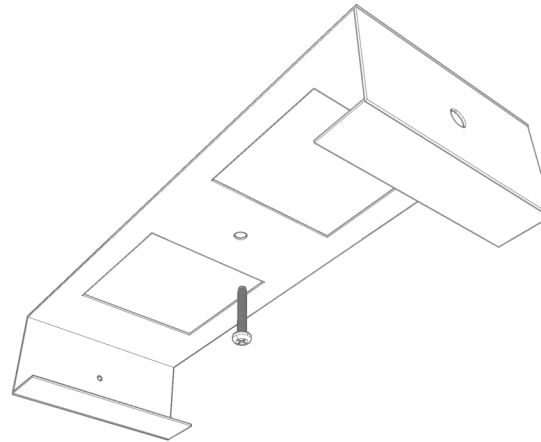


Mount the top part of the canopy onto the ceiling.

1



2

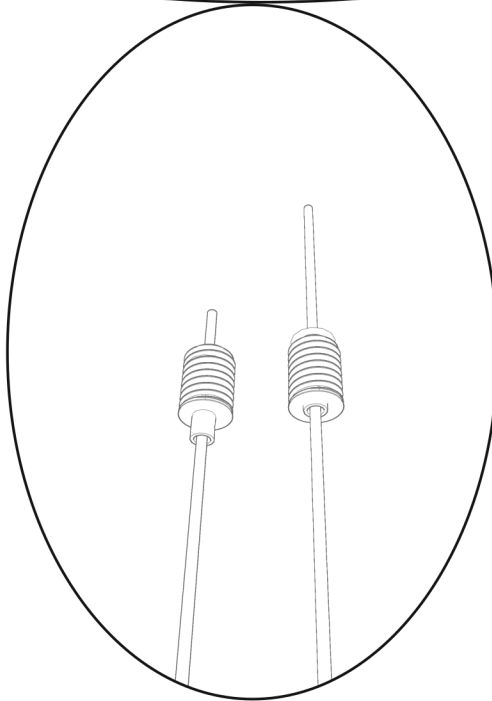
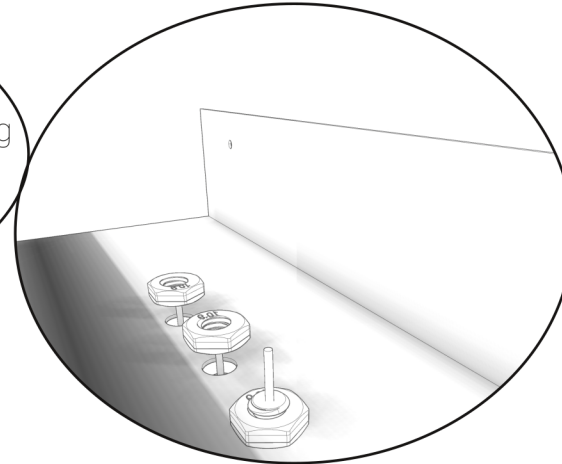
Connect the blue and brown cables of the **24Vdc** driver to the power supply and the black and red cables to the steel cables,

Vo+ red/red

Vo - black/black.

Close the box with the 2mm hexagonal hinge.

Insert the cablegliders into the corresponding holes and secure them with bolts on both sides. Adjust the cable length by gently pushing the fine part of the cableglider; once released, the cable will remain in that position

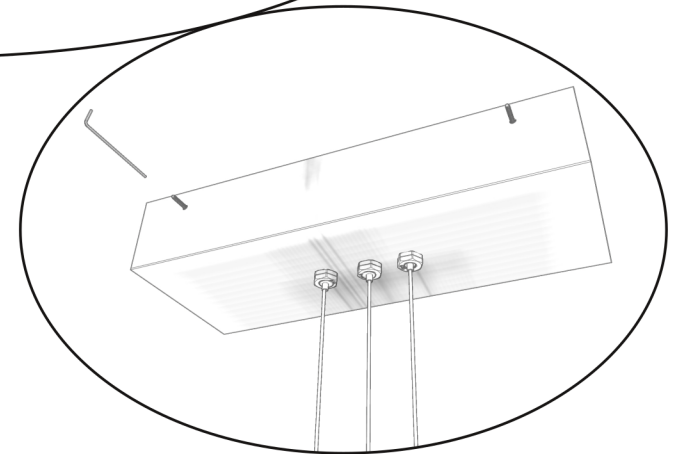


The cables from the light fixtures can be connected to the drivers cables using the terminal blocks. Remember to match the cable polarities correctly when making the connection.

+ red/red

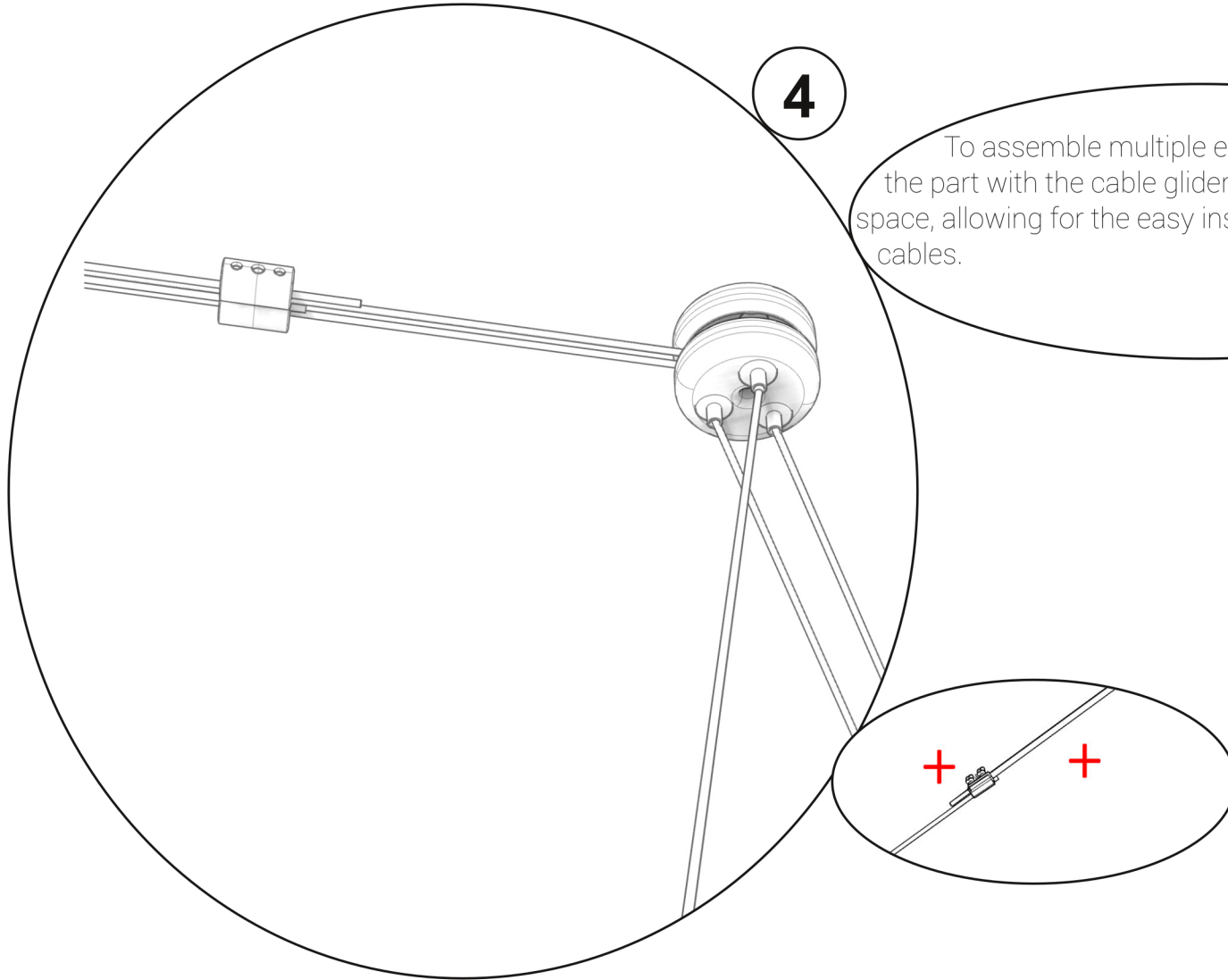
Vo - black/black.

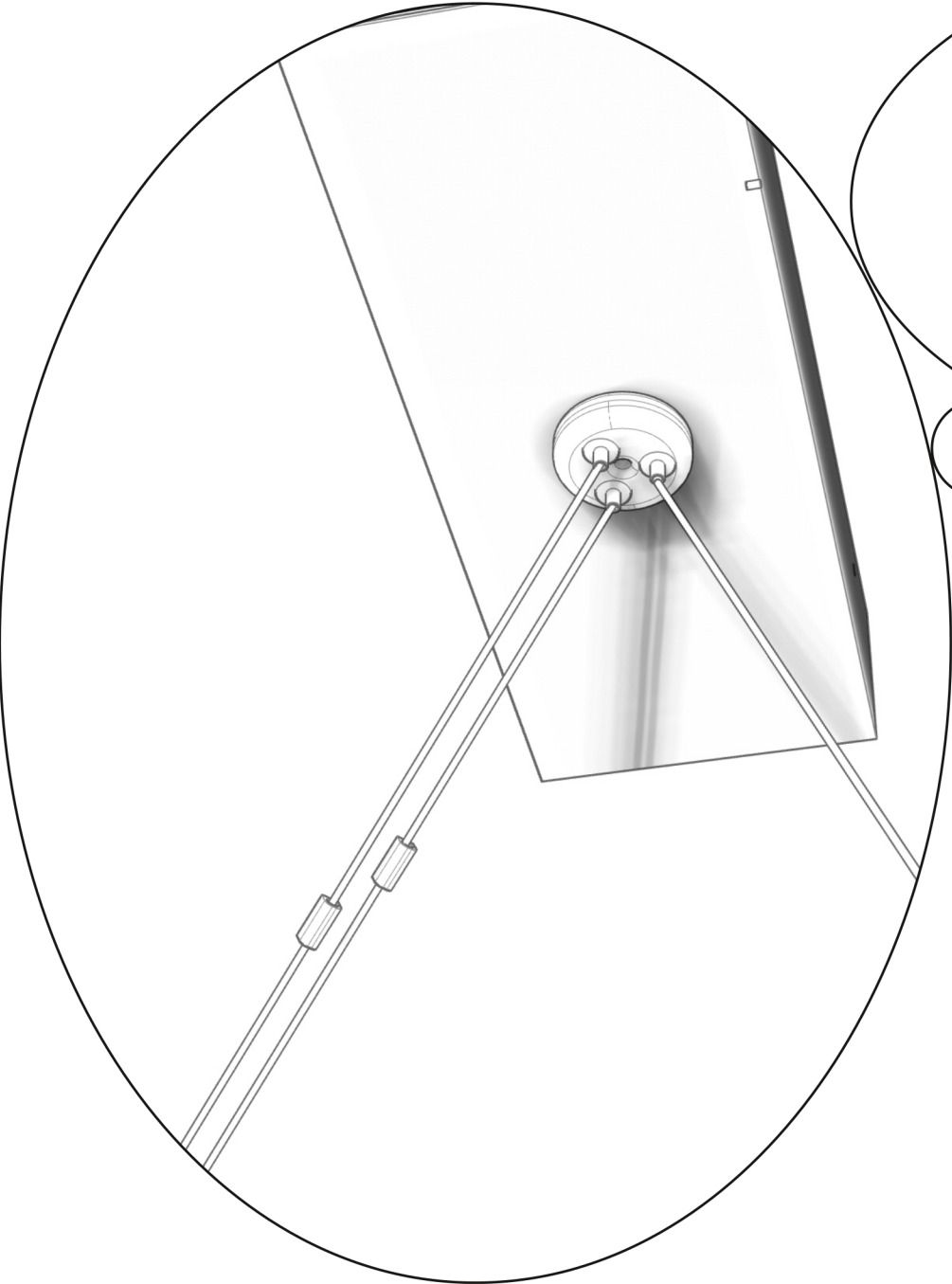
close the canopy with the M3 bolts



4

To assemble multiple elements, mount the part with the cable glider to generate sufficient space, allowing for the easy insertion and removal of cables.





The diagram shows a circular lamp housing with a central terminal block. Three cables are connected to the terminal block. Two cables are connected to the top terminals, and one cable is connected to the bottom terminal. The cables are secured with cable gliders. The diagram is enclosed in a large oval.

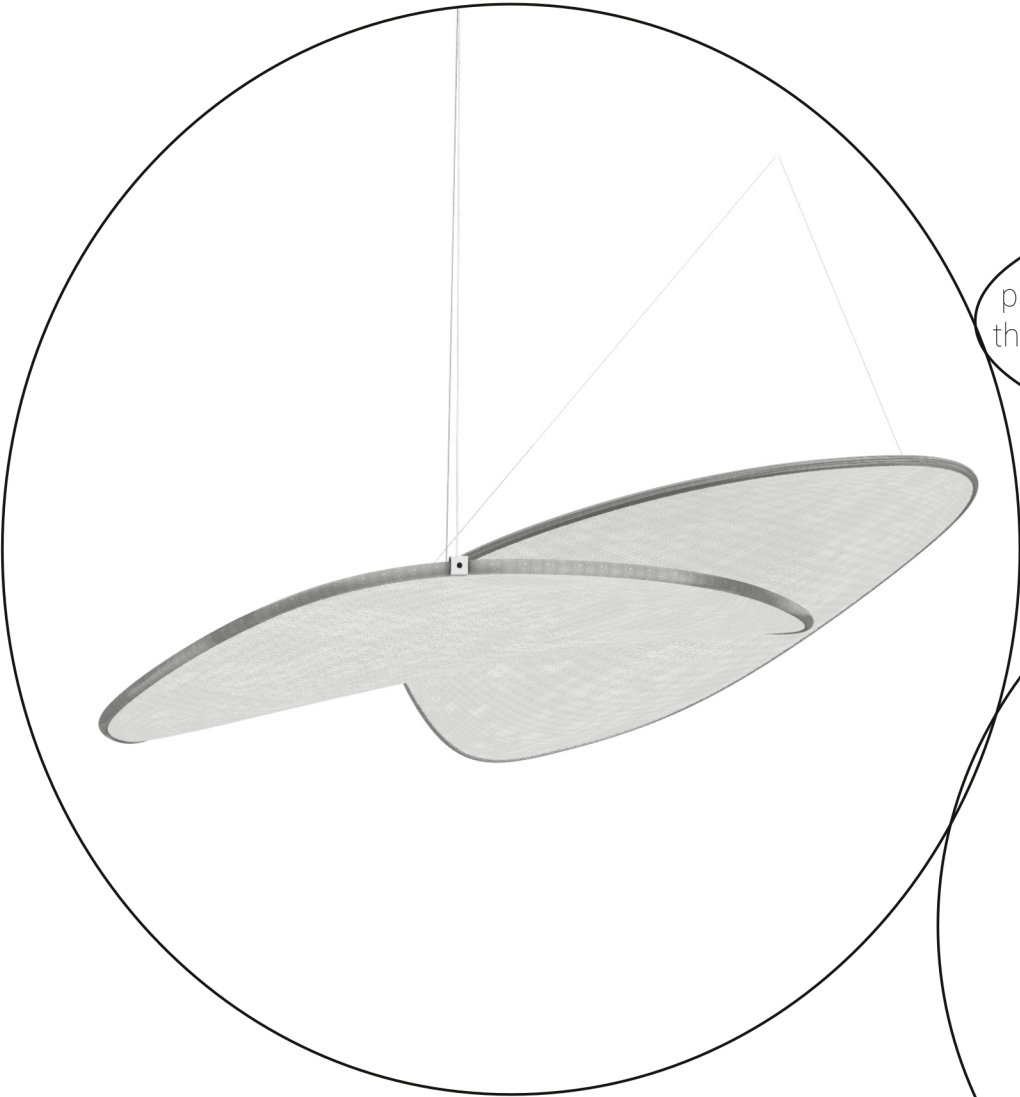
The cables from the light fixtures can be connected to the horizontal (h) cables using the terminal blocks. Remember to match the cable polarities correctly when making the connection.

+ red/red

Vo - black/black.

Use the third cable to stabilize and balance the lamp.
Utilize the cable gliders to adjust the cable length.

3



Secure the setup using the clamp for precise positioning, and link the components using the extra terminal block provided.

