

Mount the top part of the canopy on the ceiling. Connect the blue and brown cables of the

**24Vdc** driver

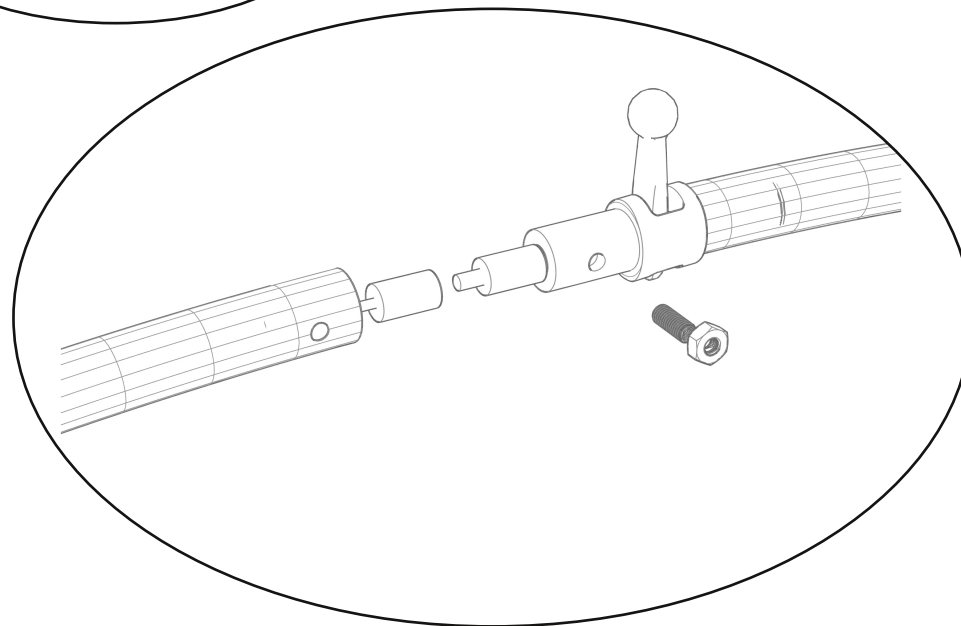
to the power supply and the black and red cables to the steel cables,

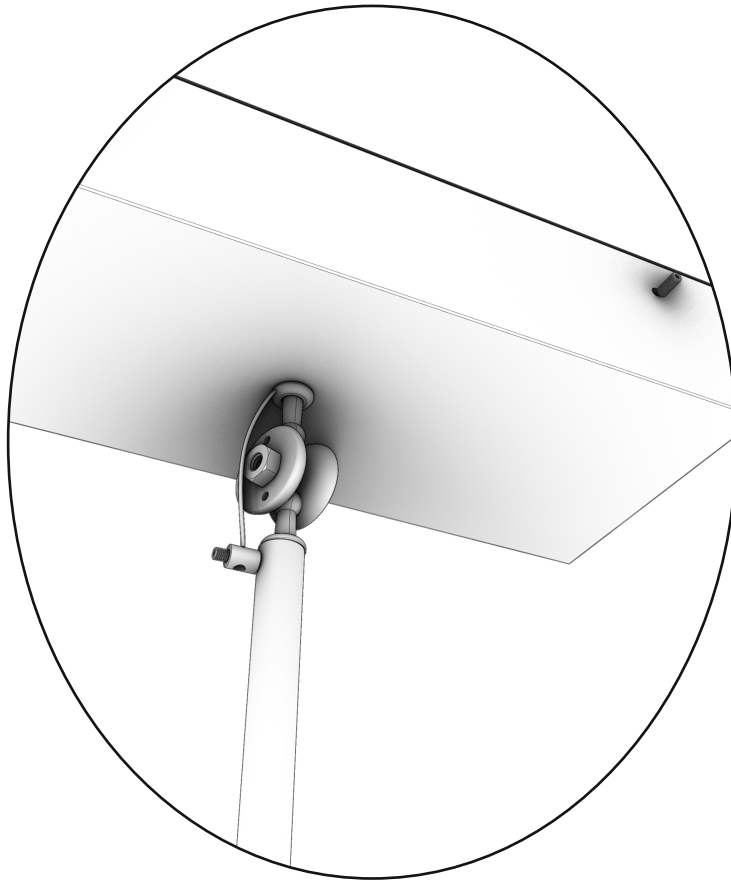
**Vo+ red/red**

**Vo - black/black.**

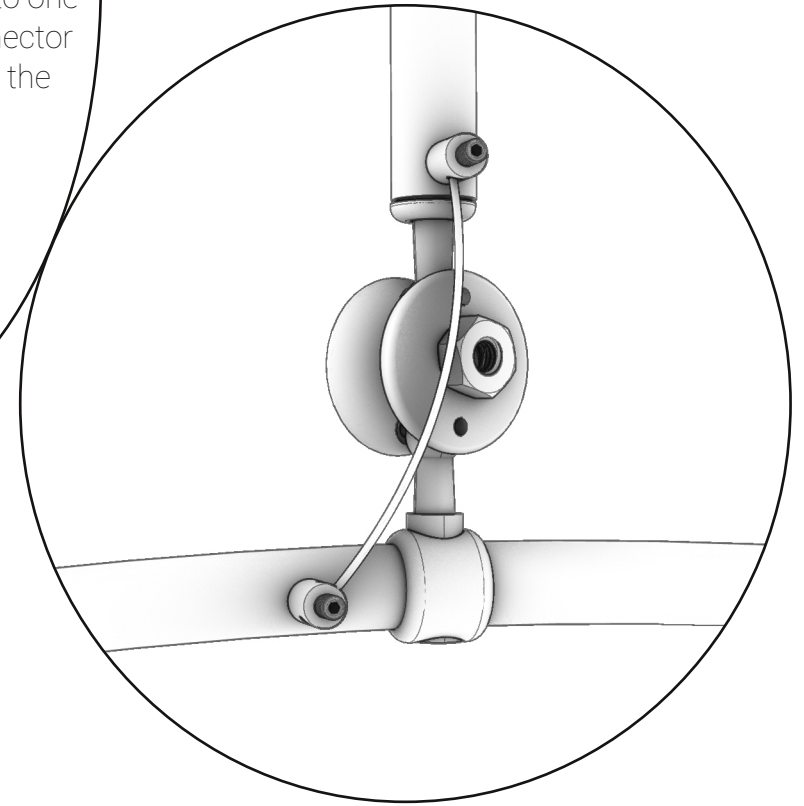
and close the canopy with the 4 screws.

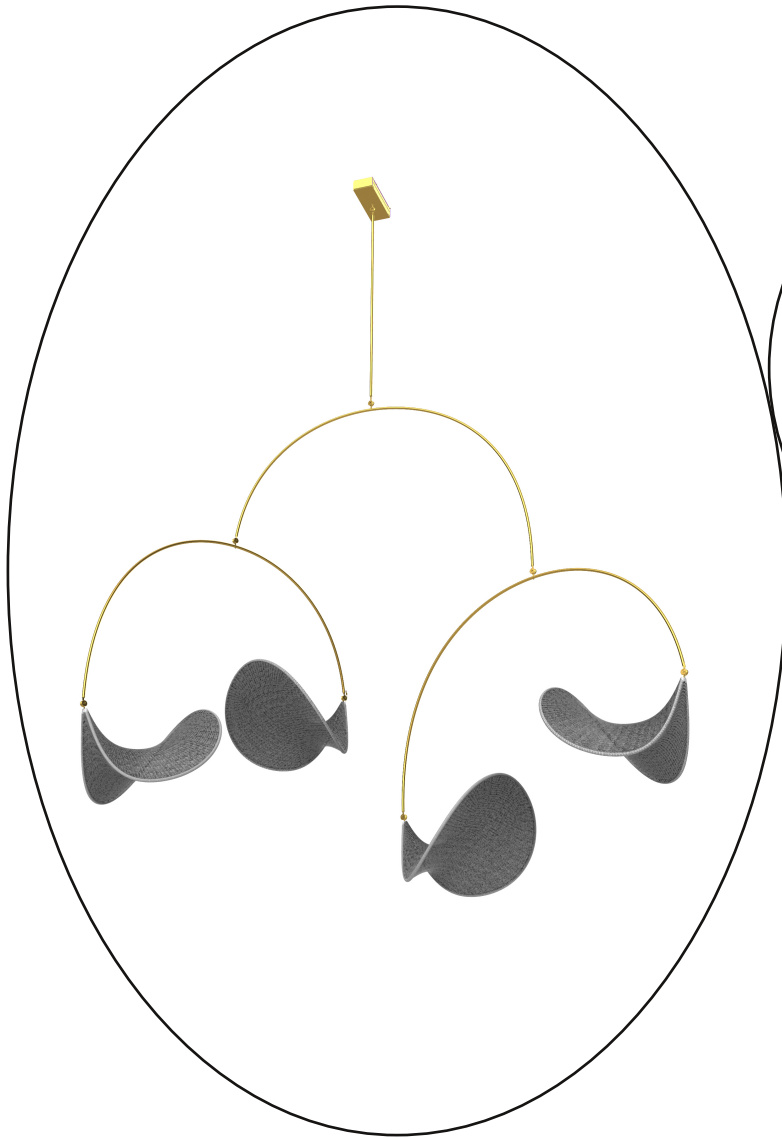
connect the 2 halves of the arches, first plug in the cable secure with the M3 bolt.





Attach the tubes together using the hinge. Make sure they are securely fastened. The hinge allows movement between the tubes while maintaining a connection. Additionally connect the tubes for electrical purposes (neutral power), with the small cable. Connect one end of the cable to one tube using wire nuts and connector and connect the other end of the cable to the second tube. The - pole is on the tubes the + pole inside. the tubes





### Chandelier with 4 elements

Connect the first arch. On both ends, connect the other two arches. At the four ends, attach the four light elements using hinges.

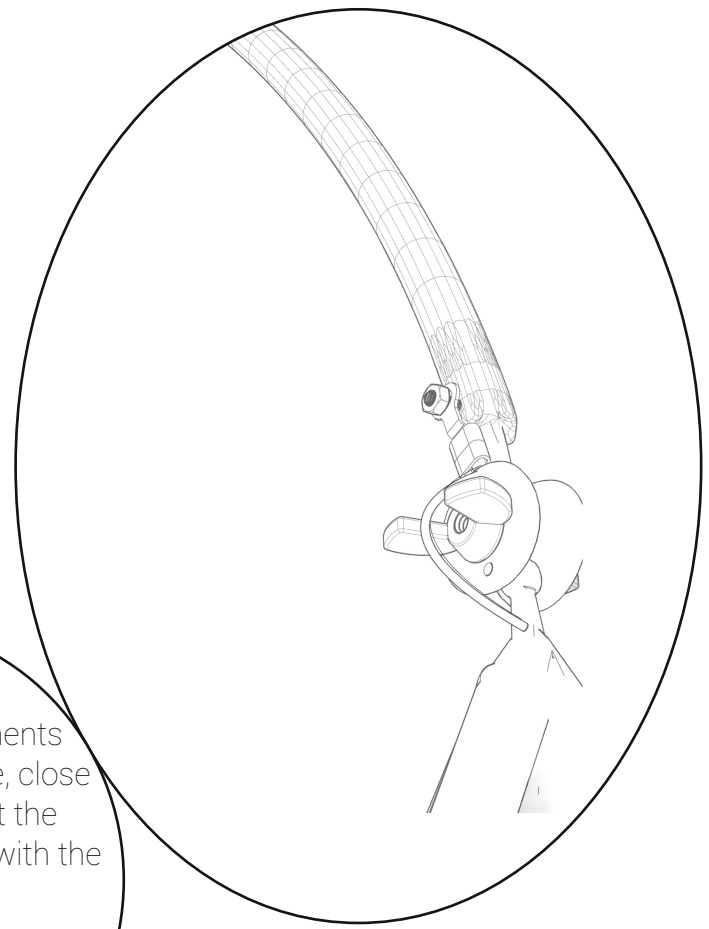
connect the tubes for electrical purposes (neutral power), with the small cable.

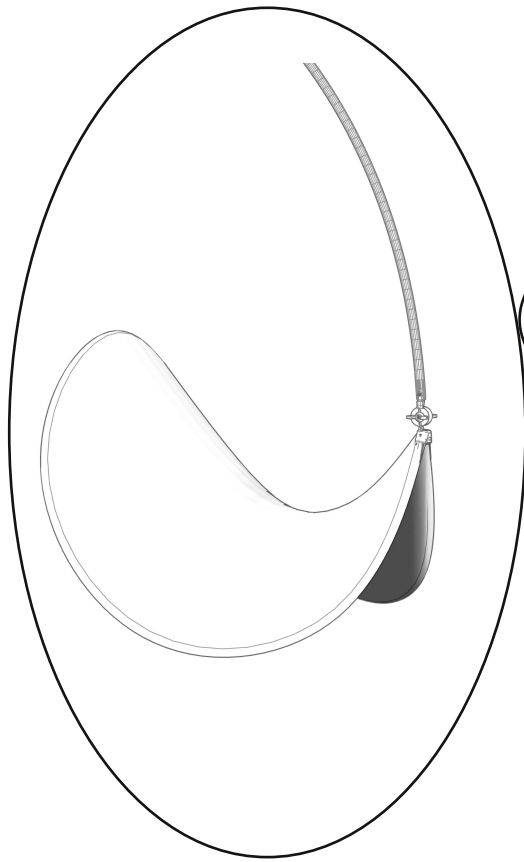
Connect one end of the cable to one tube using wire nuts and connector and connect the other end of the cable to the second tube

The - pole  
is on the tubes  
the + pole  
inside the tubes

Connect the light elements  
and tubes with the hinge, close  
the hinge and connect the  
cables to the tubes with the  
small nuts.

The - pole  
is on the tubes the  
+ pole inside.





Use two wrenches for extra torque:  
Place one wrench on the screw head.  
Place the other wrench on the nut or opposite end of the screw.  
Apply force in opposite directions to tighten the screw as much as possible.

Only when fastened very tight the light element will remain on its place.

