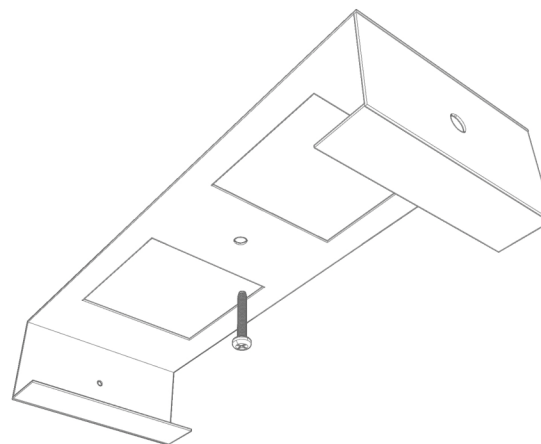


Mount the top part of the canopy onto the ceiling.

1



2

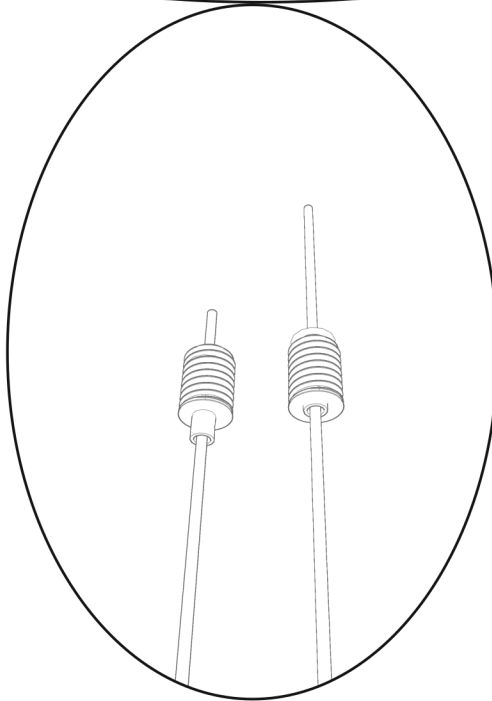
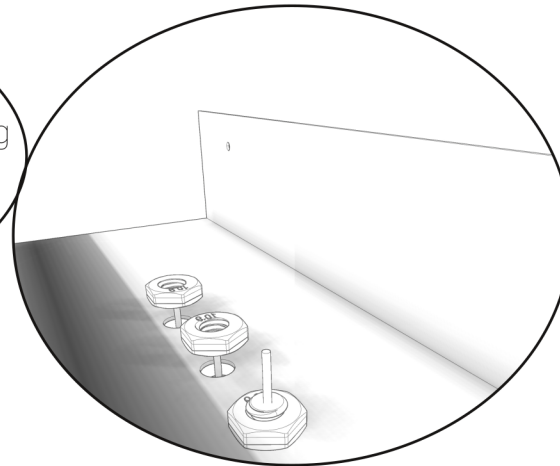
Connect the blue and brown cables of the **24Vdc** driver to the power supply and the black and red cables to the steel cables,

Vo+ red/red

Vo - black/black.

Close the box with the 2mm hexagonal hinge.

Insert the cablegliders into the corresponding holes and secure them with bolts on both sides. Adjust the cable length by gently pushing the fine part of the cableglider; once released, the cable will remain in that position

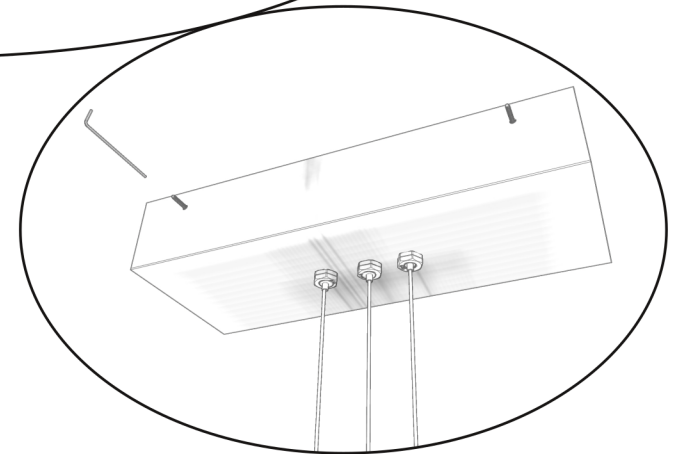


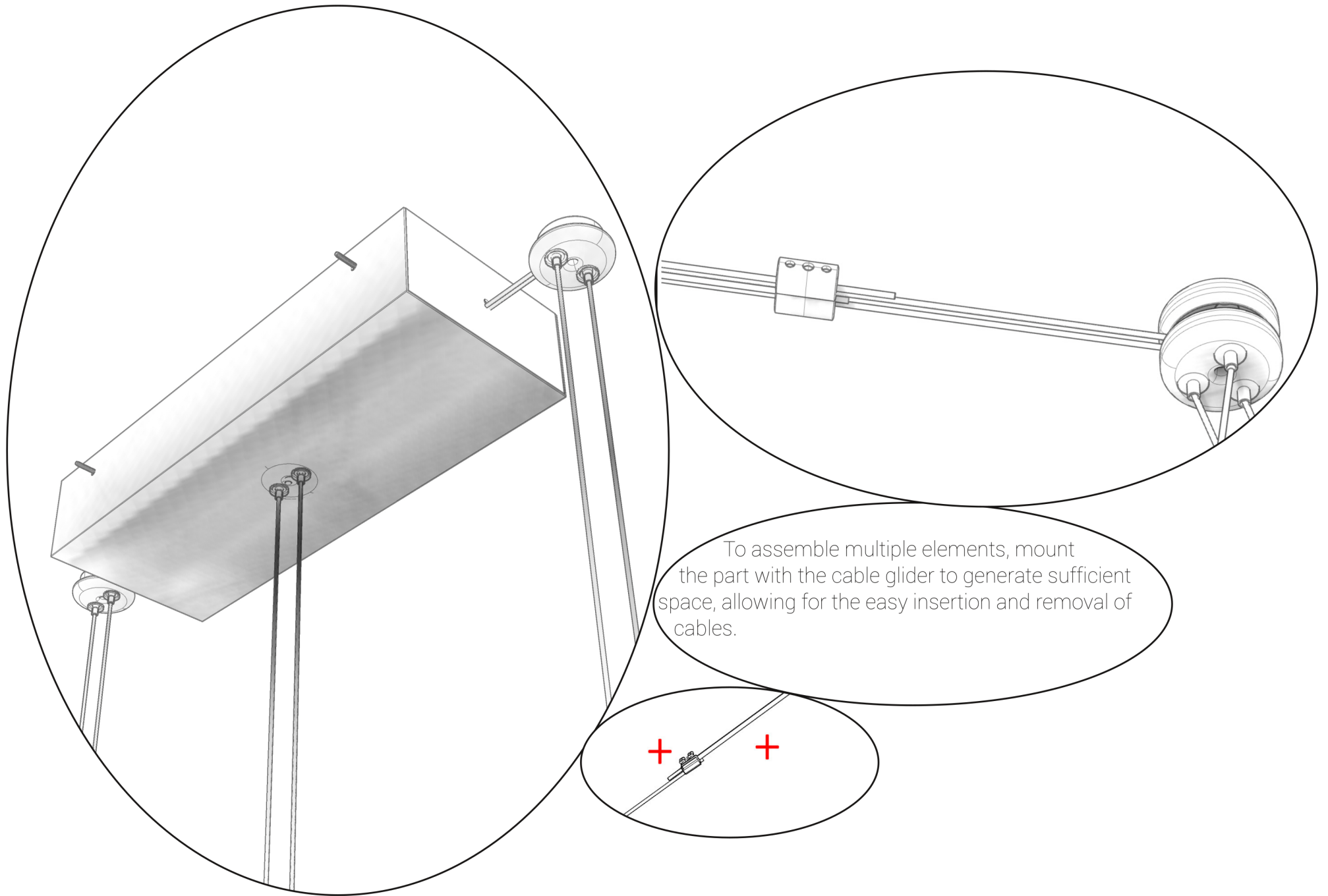
The cables from the light fixtures can be connected to the drivers cables using the terminal blocks. Remember to match the cable polarities correctly when making the connection.

+ red/red

Vo - black/black.

close the canopy with the M3 bolts





To assemble multiple elements, mount the part with the cable glider to generate sufficient space, allowing for the easy insertion and removal of cables.

4

To assemble multiple elements, mount the part with the cable glider to generate sufficient space, allowing for the easy insertion and removal of cables.

