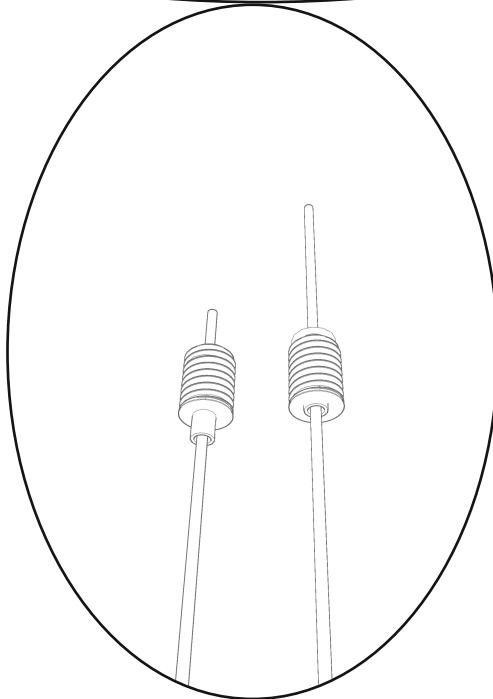
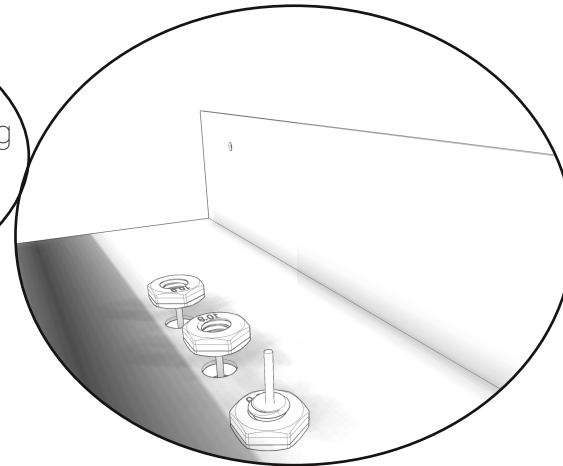


Insert the cablegliders into the corresponding holes and secure them with bolts on both sides. Adjust the cable length by gently pushing the fine part of the cableglider; once released, the cable will remain in that position



The cables from the light fixtures can be connected to the drivers cables using the terminal blocks. Remember to match the cable polarities correctly when making the connection.

+ red/red

Vo - black/black.

close the canopy with the M3 bolts

