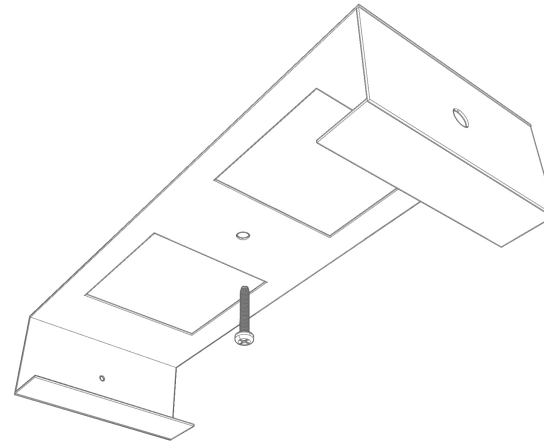


Mount the top part of the canopy onto the ceiling.

1



2

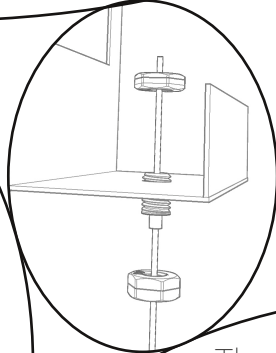
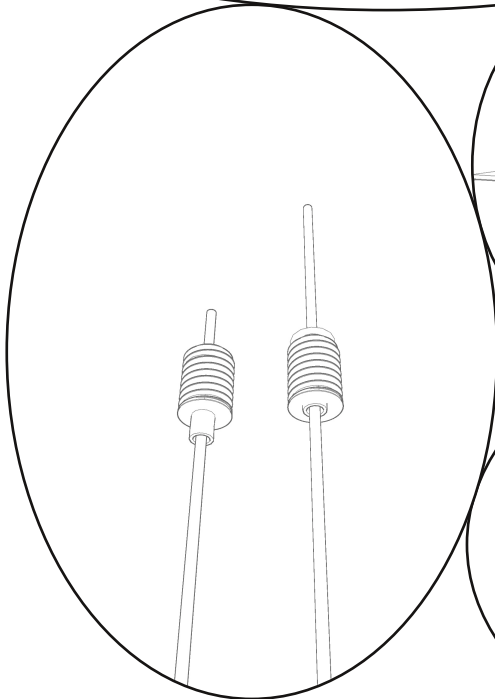
Connect the blue and brown cables of the **24Vdc** driver to the power supply and the black and red cables to the steel cables,

Vo+ red/red

Vo - black/black.

Close the box with the 2mm hexagonal hinge.

Insert the cablegliders into the corresponding holes and secure them with nuts on both sides. Adjust the cable length by gently pushing the fine part of the cableglider; once released, the cable will remain in that position



The cables from the light fixtures can be connected to the drivers cables using the terminal blocks. Remember to match the cable polarities correctly when making the connection.

+ red/red

Vo - black/black.

Close the box with the 4 M3 crater bolts and adjust the height if necessary.

